

## **Anatomy table with Code -CEATA10 Special solution with dissection wing**



Autopsy table completely in stainless steel AISI 304, equipped with a supporting top that is inclined for the water flow and containing perimeter border.

The table has a sink whose size are 500 x 400 x 250 mm and it is equipped with taps and fittings with mixer for hot and cold water, washing shower extendible on all the working surface.

The frame is composed by a central supporting steel column, used to contain the plants, and it is equipped with two inspection doors.

Standard equipment :

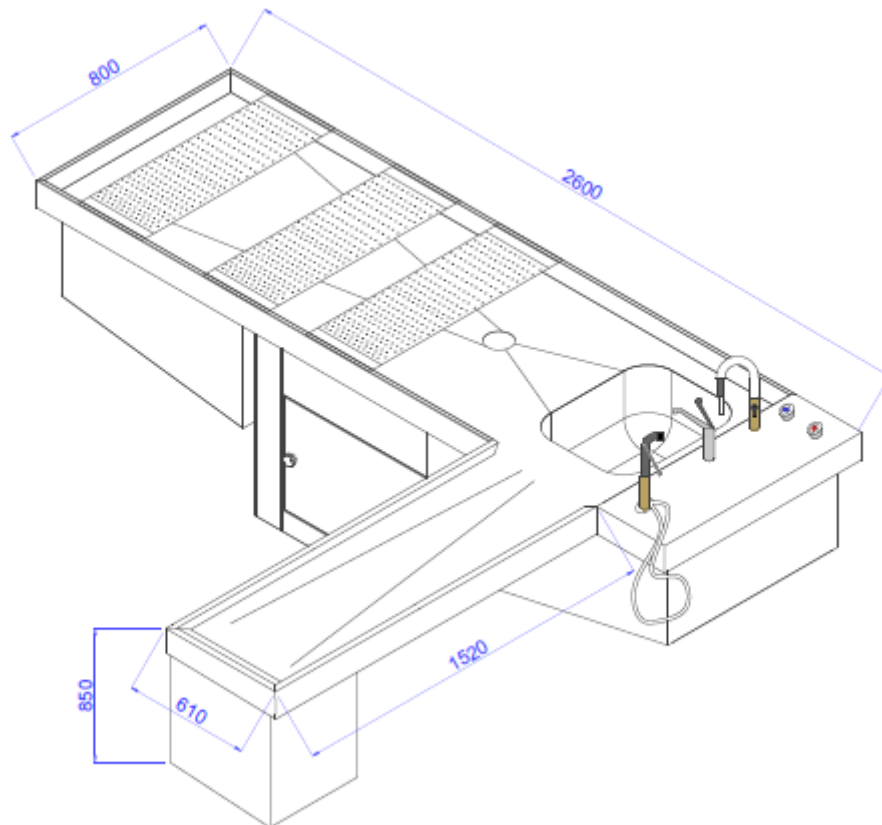
- taps and fittings with mixer for hot and cold water with elbow operation ;
- extensible shower on the whole top ;
- waste-pipe and adduction plant for connection of autopsy table ;
- n. 2 plugs for the connection of the autopsy equipment ;
- Electric grinder-waster for the organic waste disposal;
- water exhauster “Venturi” system that is necessary to clean the anatomic part that will be part of the autopsy.
- Liquids drainage protected by “too full” by magnetic probe.



**Producing Unit and Brand by Vezani Spa**  
G.B. Brunelli Street 16  
35042 Este (Padova) – Italy  
Tel. +39 0429 602323 – Fax +39 0429 601484  
www.ceabis.it – info@ceabis.it



**VEZZANI**  
HEAD OFFICE  
**VEZZANI SPA** – M. Tito Street, 3 – Montecavolo  
42020 Quattro Castella – Reggio Emilia – Italy  
Bus. Reg. No. 00294890355  
Tax Code No. 00294890355 - VAT No. IT00294890355  
REA No. 125932/RE – M.RE 009030  
Capital Stock 1.000.000,00 wholly paid-up



Accessories for autopsy table:

-CEATA30  
 Stainless steel support for analysis

-CEATA31  
 Stainless steel support for instruments

CEATA32  
 Stainless steel set 3 supports for body

-CEATA34  
 Multi-position headrest



Organ scale with stainless steel basin

